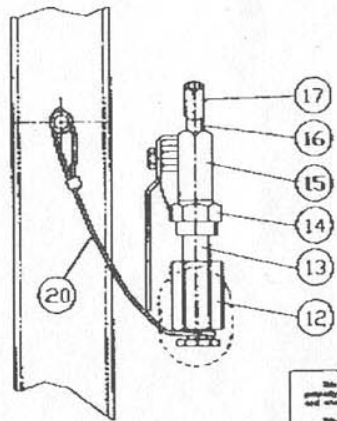


LEGEND

- |    |                             |    |                               |
|----|-----------------------------|----|-------------------------------|
| A  | GAS PHASE                   | 17 | 1/4" NPT HALF COUPLING        |
| B  | LIQUID PHASE                | 18 | 50 MR. WELD ON TAPERED NIPPLE |
| 1  | COUPLING ACME # 1 3/4"      | 19 | 50 MR. LONG RAD. ELBOW        |
| 2  | COUPLING ACME # 3 1/4"      | 20 | STAINLESS STEEL CABLE         |
| 3  | FISHER GLOBE VALVE M310T-16 | 21 | CONTROL VALVE LINK ASSY.      |
| 4  | PRESSURE GAUGE ORCATHERMIC  | 22 | DOOR LATCHES STAINLESS STEEL  |
| 5  | CONTROL VALVE 1/4" BSP S.S. | 23 | RING STAINLESS STEEL          |
| 6  | FISHER TEMP. GAUGE          | 24 | PAD MATL: SA 612              |
| 7  | FISHER INTERNAL VALVE ASSY. | 25 | PAD MATL: SA 612              |
| 8  | CONTROL UNIT SPRING         | 26 | PAD MATL: SA 612              |
| 9  | PULLEY AND SHACKLE          | 27 | PAD MATL: SA 612              |
| 10 | SUPPORT BRACKET STAND S.ST. | 28 | 1/4" BSP BRASS SWAGE NIPPLE   |
| 11 | FISHER P650 CONTROL UNIT    | 29 | Ø                             |
| 12 | N20 HEX CAP                 | 30 | Ø                             |
| 13 | 1/2" ACME                   | 31 | Ø                             |
| 14 | 1/4" BSP HEX NIPPLE         | 32 | Ø                             |
| 15 | 1/4" BSP BALL VALVE 800 WDG | 33 | Ø                             |
| 16 | 1/4" BSP BARREL NIPPLE      | 34 | Ø                             |

ENLARGE  
 OPTIONAL  
 ALTERNATIVE  
 DETAIL



NOTE:  
 CLOSURE DOORS OMITTED FOR CLARITY

See drawing and/or specifications for the ultimate approval of design, weight, dimensions and shall be tested as safety certificate.

We assume no responsibility for any copy of these drawings or specifications or for any errors or omissions which may appear hereon unless specifically stated otherwise.

See drawing and/or specifications for details not shown. For any changes other than the revision of contract, written or verbal, at the discretion of customer, prior to work, and when other not agreed shall be referred to design office instructions.

DESIGNED	BY	DATE	NO. OF SHEETS	TOTAL SHEETS
CHECKED	BY	DATE		
APPROVED	BY	DATE		
RELEASED	BY	DATE		

REVISED

FABRICATION & MACHINING		WHOL. TOLERANCES UNLESS OTHERWISE SPECIFIED	
GENERAL ARRANGEMENT OF LIQUID AND GAS PHASE VALVES FOR IMO TYPE CONTAINER		FINISH	Ø
		Ø	± 0.01
		Ø	± 0.02
		Ø	± 0.03
		Ø	± 0.04
		Ø	± 0.05
		Ø	± 0.06
		Ø	± 0.07
		Ø	± 0.08
		Ø	± 0.09
		Ø	± 0.10
		Ø	± 0.12
		Ø	± 0.15
		Ø	± 0.20
		Ø	± 0.25
		Ø	± 0.30
		Ø	± 0.35
		Ø	± 0.40
		Ø	± 0.45
		Ø	± 0.50
		Ø	± 0.60
		Ø	± 0.70
		Ø	± 0.80
		Ø	± 0.90
		Ø	± 1.00

ORG. No. CON /24600/14/6

PROJECTION