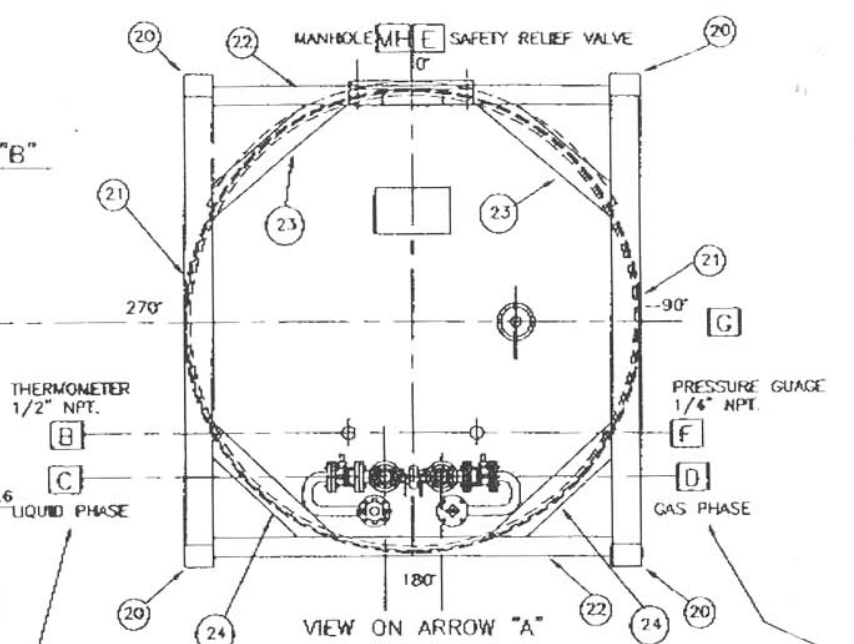
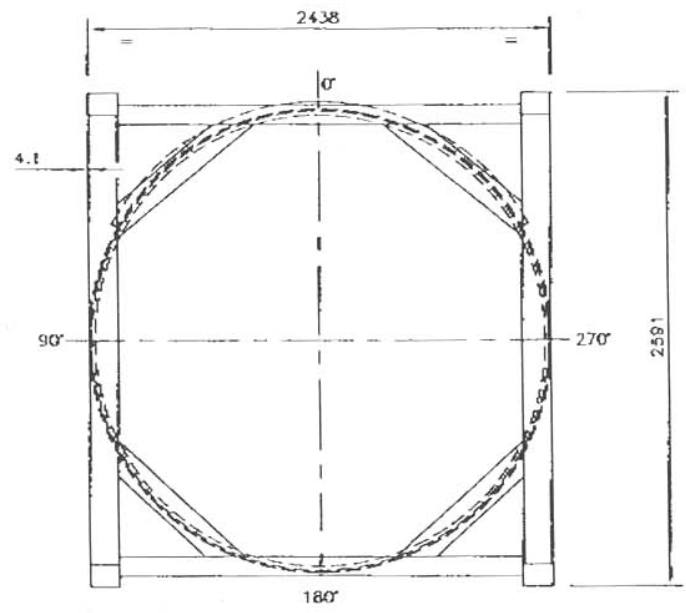


ELEVATION



"FORT VALE"  
888/252380L  
2" GAS FOOTVALVE/BOLTED  
BALL VALVE ASSEMBLY  
LEFT HAND VERSION  
COUPLING ACME 3 1/4"  
(FOR LIQUID PHASE)

"FORT VALE"  
888/252380R  
2" GAS FOOTVALVE/BOLTED  
BALL VALVE ASSEMBLY  
RIGHT HAND VERSION  
COUPLING ACME 1 1/4"  
(FOR GAS PHASE)



VIEW ON ARROW "B"

GENERAL NOTES

1. DIMENSION TOLERANCES : UNLESS OTHERWISE INDICATED ON DRAWINGS SHOULD BE IN ACCORDANCE WITH DHE WORK INSTRUCTIONS No. OAP 10/3/25
2. ALL WELDS TO 6 mm CONTINUOUS FILLET WELDS UNLESS OTHERWISE SPECIFIED.

REV	BY	DATE	REV	BY	DATE	REV	BY	DATE	REV	BY	DATE

<p>This drawing and / or modification is the exclusive property of DIESEL, SAIGER CORPORATION and shall be treated as strictly confidential.</p> <p>No drawing and / or modification or any part of same shall be for, or used, in any way, without the written consent of DIESEL, SAIGER CORPORATION.</p> <p>This drawing and / or modification shall not be used for any other purpose without the written consent of DIESEL, SAIGER CORPORATION.</p>		<p><b>FABRICATION &amp; MACHINING</b></p> <p>24600 ft. CONTAINER FOR SMO TYPE 5 CAPTANK 5 - 246 GENERAL ARRANGEMENT (BEAM FRAME)</p> <p>DATE: 03/08/88</p> <p>SCALE: 22.0/BCON24600/8/1</p>		<p>DATE: 03/08/88</p> <p>BY: [Signature]</p> <p>APPROVED: [Signature]</p>
---	--	---	--	---