

PARTS LIST

No.	QTY	MAT	BOP Pg/No	DESCRIPTION	REFERENCE
1	1			GENERAL DATA PLATE	2371-01-1204
2	1		8087	MANUFACTURER PLATE	CSID 105
3	1			CALIBRATION PLATE (CM/LITERS)	CSID 2086
4	1		12199	UIC RAILWAYS DECAL	
5	1		12174	EARTH DECAL	
6	1		12174	'IN' DECAL FOR STEAM TUBE INLET	
7	1		12175	'OUT' DECAL FOR SIM. TUBE OUTLET	
8	1		12178	REMOTE CONTROL DECAL	
9	4			SELF ADHESIVE RUBBER 35x70x3H	
10	6		12161	OWNER CODE	
11	6		12161	SERIAL NUMBER	
12	6		12161	ISO AUTO CONTROL NUMBER	
13	1			CALIBRATION PLATE (INCHES/US GALLONS)	CSID 2087
14	3		12162	DIMENSION & TYPE	
15	2		12163	UIC APPROVAL DECAL	
16	1		12164	WEIGHT PANEL	
17	2		12167	NOMINAL CAPACITY	
18	2		12181	MAX. HEIGHT DECAL	
19	2		12181	INSPECTION AUTHORITY	
20	1		12166	RID/ADR APPROVAL DECAL	
21	2		12168	TC IMPACT APPROVED DECAL	
22	2		12169	AAR 600 APPROVED DECAL	
23	2			WORKING PRESSURE DECAL	
24	2			SUPER HEAVY DECAL	
25	2		12173	OVERHEAD POWER LINE WARNING DECAL	
26	1		12176	'RAISE LOCKING LEVER' DECAL	
27	1		12188	'FOOTVALVE MUST BE CLOSED' DECAL	
28	1		12188	'NO FORKLIFT' DECAL	
29	2			MANUFACTURERS PLACARD	
30	2			'STEAM HEATING' DECAL	
31	1			TANKSPAN OWNER LOGO LARGE DECAL	
32	2			TANKSPAN OWNER LOGO SMALL DECAL	
33	2			TANKSPAN ADDRESS LOGO DECAL	
34	2			TANKSPAN ADDRESS LOGO DECAL	

SERIAL NO.	CHECK
TASU 2150 41	- 4
TASU 2150 42	- 0
TASU 2150 43	- 5
TASU 2150 44	- 0
TASU 2150 45	- 6
TASU 2150 46	- 1
TASU 2150 47	- 7
TASU 2150 48	- 2
TASU 2150 49	- 8
TASU 2150 50	- 1
TASU 2150 51	- 7
TASU 2150 52	- 2
TASU 2150 53	- 3
TASU 2150 54	- 8
TASU 2150 55	- 9
TASU 2150 56	- 4
TASU 2150 57	- 0
TASU 2150 58	- 5
TASU 2150 59	- 0
TASU 2150 60	- 4
TASU 2150 61	- 0
TASU 2150 62	- 5
TASU 2150 63	- 0
TASU 2150 64	- 6

CONSANI ENGINEERING (PTY) LTD
ELSIES RIVER, CAPE
SOUTH AFRICA

TEL. 592-5400
FAX. 591-2825

INTERMODAL CONTAINERS

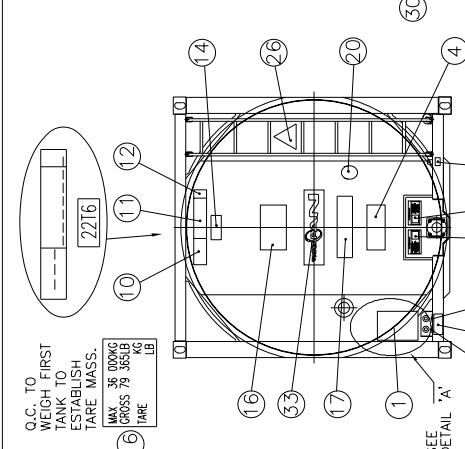
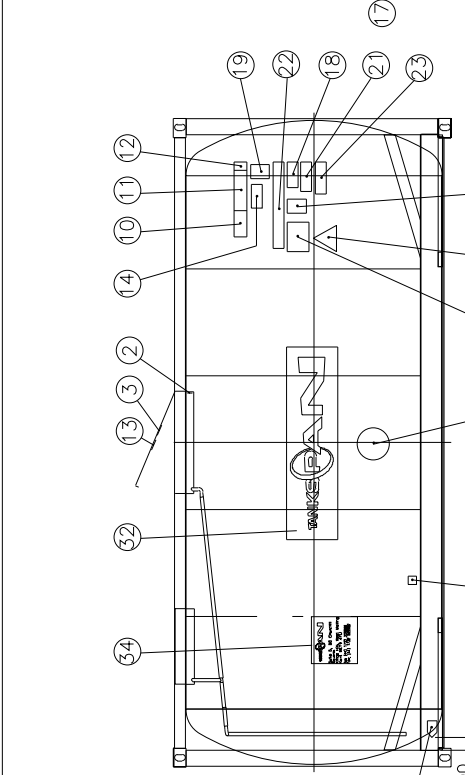
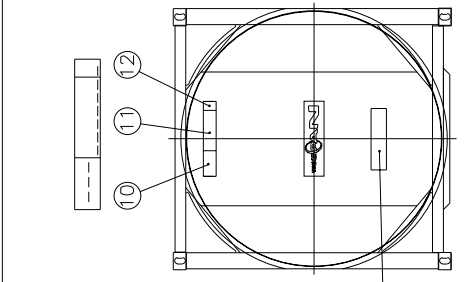
TANK MARKINGS

13 x 25 000 LITRE HO3 TANK

THE DRAWING AND INFORMATION IS THE PROPERTY OF CONSANI (PTY) LTD. IT IS TO BE USED ONLY FOR THE PROJECT AND NOT TO BE REPRODUCED OR COPIED IN ANY MANNER WITHOUT OUR WRITTEN PERMISSION.

CAD: 23712357.C

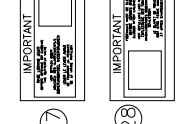
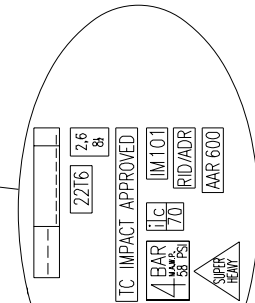
CLIENT	SCALE	DRAWING NUMBER	REVISION
WORKS ORDER	DATE	CHECKED	
		2371-01-2357	C



17 NOMINAL CAPACITY 25 000 L

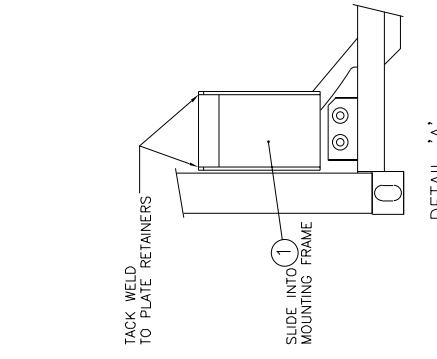
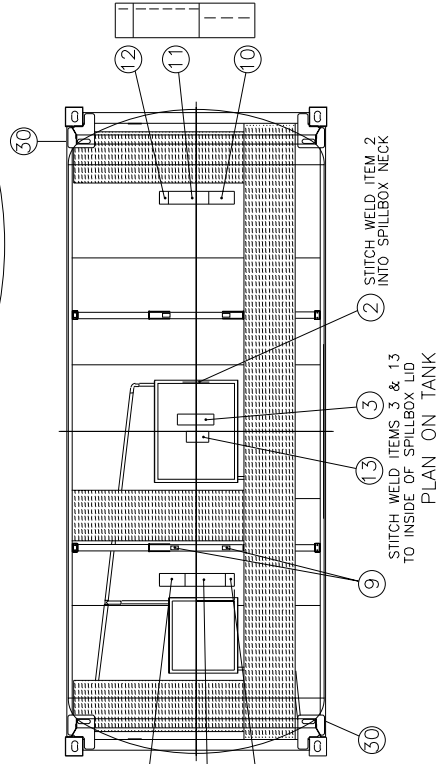
17 NOMINAL CAPACITY 25 000 L

17 NOMINAL CAPACITY 25 000 L



7 IMPORTANT
ITEMS 6 & 7 TO BE PASTED ON TOP OF BEAM

17 NOMINAL CAPACITY 25 000 L
31 MINIMUM SEAM PRESSURE 6 BAR 87 PSI
THE TANK OPERATING TEMPERATURE MUST NOT EXCEED 100°C 212°F
4 MAX. FOR UIC RAIL 34000 KG



REVISION	DATE	DESCRIPTION	AUTHORITY	DESIGN	QUALITY ASSURANCE	CONTRACTS	INSPECTION	REVISION	DATE	DESCRIPTION	AUTHORITY	DESIGN	QUALITY ASSURANCE	CONTRACTS	INSPECTION
E			DRAWN												
D			DRAWN												
C			DRAWN												
B			DRAWN												
A			DRAWN												

REVISION	DATE	DESCRIPTION	AUTHORITY	DESIGN	QUALITY ASSURANCE	CONTRACTS	INSPECTION
1							
2							
3							
4							
5							
6							
7							
8							
9							
10							
11							
12							
13							
14							
15							
16							
17							
18							
19							
20							
21							
22							
23							
24							
25							
26							
27							
28							
29							
30							
31							
32							
33							
34							

REVISION	DATE	DESCRIPTION	AUTHORITY	DESIGN	QUALITY ASSURANCE	CONTRACTS	INSPECTION
1							
2							
3							
4							
5							
6							
7							
8							
9							
10							
11							
12							
13							
14							
15							
16							
17							
18							
19							
20							
21							
22							
23							
24							
25							
26							
27							
28							
29							
30							
31							
32							
33							
34							

REVISION	DATE	DESCRIPTION	AUTHORITY	DESIGN	QUALITY ASSURANCE	CONTRACTS	INSPECTION
1							
2							
3							
4							
5							
6							
7							
8							
9							
10							
11							
12							
13							
14							
15							
16							
17							
18							
19							
20							
21							
22							
23							
24							
25							
26							
27							
28							
29							
30							
31							
32							
33							
34							

REVISION	DATE	DESCRIPTION	AUTHORITY	DESIGN	QUALITY ASSURANCE	CONTRACTS	INSPECTION
1							
2							
3							
4							
5							
6							
7							
8							
9							
10							
11							
12							
13							
14							
15							
16							
17							
18							
19							
20							
21							
22							
23							
24							
25							
26							
27							
28							
29							
30							
31							
32							
33							
34							

REVISION	DATE	DESCRIPTION	AUTHORITY	DESIGN	QUALITY ASSURANCE	CONTRACTS	INSPECTION
1							
2							
3							
4							
5							
6							
7							
8							
9							
10							
11							