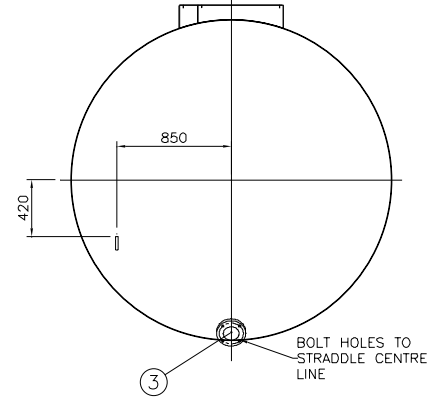
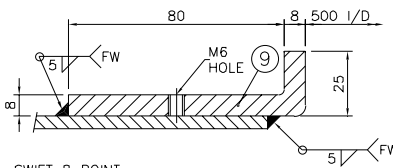


PLAN VIEW

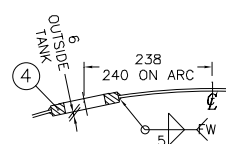


REAR END VIEW

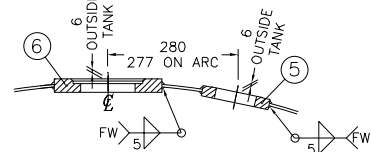


SWIFT 8 POINT MANLID ASSEMBLY STM 7003B

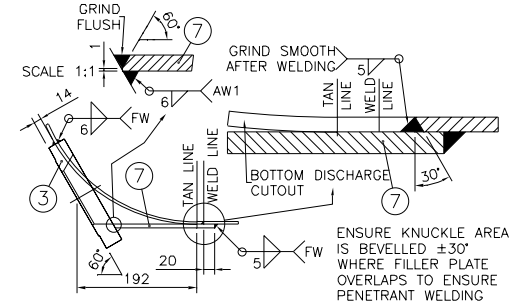
SECTION B



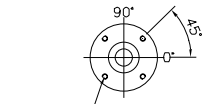
SECTION D



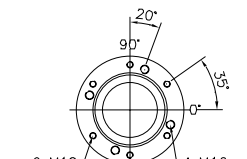
SECTION C-C



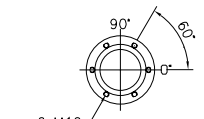
SECTION A-A



ORIENTATION ITEM 5



ORIENTATION ITEM 6



ORIENTATION ITEM 4

NOTES

- QUANTITIES GIVEN ARE FOR 1-OFF I.C. 50-OFF TANK CONTAINERS IN CONTRACT

	CONSANI ENGINEERING (PTY) LTD ELSIES RIVER, CAPE SOUTH AFRICA		TEL. 590-3400 FAX. 591-2825
	INTERMODAL CONTAINERS		

THIS DRAWING AND INFORMATION IS THE PROPERTY OF CONSANI ENG. (PTY) LTD AND MAY NOT BE REVEALED TO ANY THIRD PARTY WITHOUT OUR WRITTEN PERMISSION.
CAD: 24422297

WELD PAD/SPILLBOX ORIENTATION MODEL HO3			
CLIENT	OCI	SCALE	1:20
WORKS ORDER	2442	DRAWN	RASHAAD
		CHECKED	
		DATE	13/02/02
		DRAWING NUMBER	2442-02-2297
		REVISION	0

REVISION E				REVISION D				REVISION C				REVISION B				REVISION A				DRAWING APPROVAL							
AUTHORITY	SIGN.	DATE	DESCRIPTION	AUTHORITY	SIGN.	DATE	DESCRIPTION	AUTHORITY	SIGN.	DATE	DESCRIPTION	AUTHORITY	SIGN.	DATE	DESCRIPTION	AUTHORITY	SIGN.	DATE	DESCRIPTION	AUTHORITY	SIGNATURE	DATE	REQUIRED	TOLERANCE	NOMINAL DIMENSIONS (SHORT SIDE OF TRIANGLE)	NOMINAL DIMENSIONS	
DRAWN				DRAWN				DRAWN				DRAWN				DRAWN											
DESIGN				DESIGN				DESIGN				DESIGN				DESIGN											
QUALITY ASSURANCE				QUALITY ASSURANCE				QUALITY ASSURANCE				QUALITY ASSURANCE				QUALITY ASSURANCE											
CONTRACTS				CONTRACTS				CONTRACTS				CONTRACTS				CONTRACTS											
INSPECTION AUTHORITY				INSPECTION AUTHORITY				INSPECTION AUTHORITY				INSPECTION AUTHORITY				INSPECTION AUTHORITY											