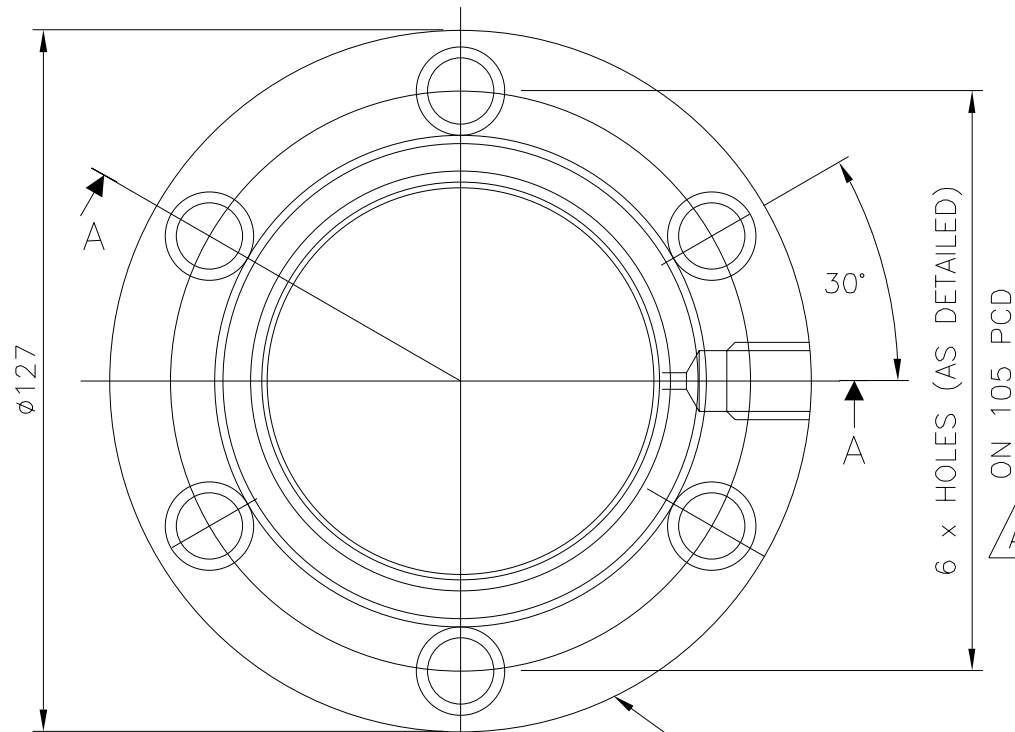


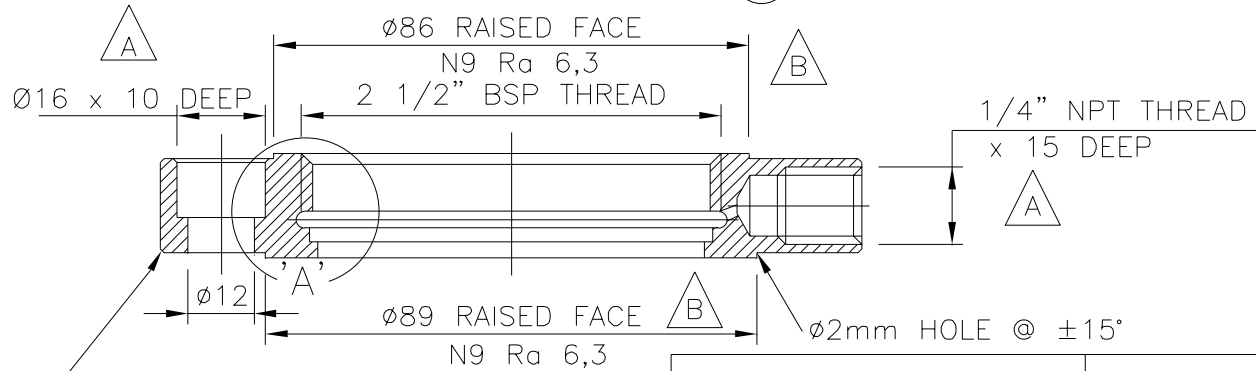
MATERIAL SPECIFICATION

C	ASTM A240 316 OR 316L		
---	-----------------------	--	--

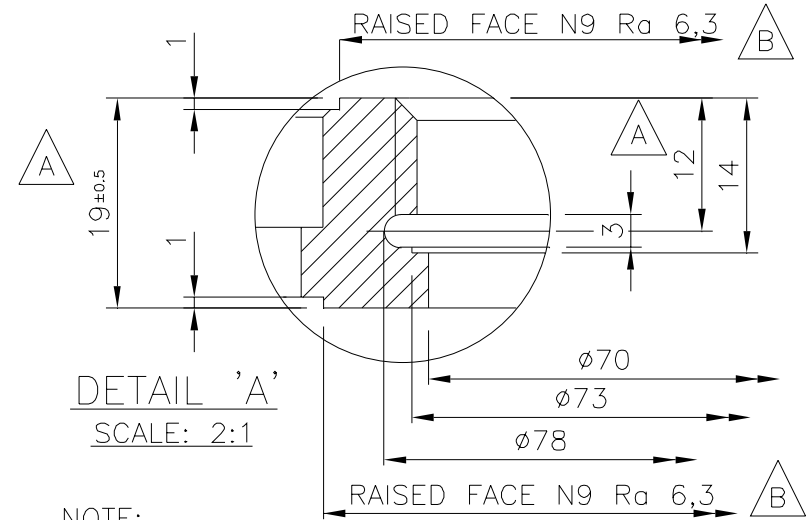
B
N8
ALL OVER
U.O.S.



PLAN SCALE: 1:1



SECTION A-A
SCALE: 1:1



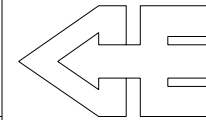
DETAIL 'A'
SCALE: 2:1

NOTE:

FLANGES TOLERANCED TO ANSI B16.5 U.O.S.
REMOVE ALL SHARP EDGES AND BURRS
PICKLE & PASSIVATE FLANGE
DO NOT SCALE DRAWING

1	1	C	8068	FLANGE Ex PL20 x 70 I/D x 127 O/D	
ITEM	QTY	MAT	BOP Pg/No	DESCRIPTION	REF

PARTS LIST



CONSANI ENGINEERING (PTY) LTD
ELSIES RIVER, CAPE SOUTH AFRICA
TEL. 590-3400
FAX. 591-2825

INTERMODAL CONTAINERS
THIS DRAWING AND INFORMATION IS THE PROPERTY OF CONSANI ENG (PTY) LTD AND MAY NOT BE REVEALED TO ANY THIRD PARTY WITHOUT OUR WRITTEN PERMISSION.
CAD:

REVISION B				DRAWING APPROVAL		
AUTHORITY	SIGN.	DATE	DESCRIPTION	AUTHORITY	SIGNATURE	DATE
DRAWN	S.N.	28/01	MACHINING DETAILS ON SERRATIONS & FINISHING REVISED	DESIGN	S.E.	23/3/94
DESIGN	E.M	10/03/97		QUALITY ASSURANCE	P.B.	7/4/94
QUALITY ASSURANCE				CONTRACTS	M.H.	7/4/94
CONTRACTS	A.C	10/03/97		INSPECTION AUTHORITY		
INSPECTION AUTHORITY				CLIENT		

SAFETY VALVE ADAPTOR FLANGE

CLIENT	SCALE	1:1	DRAWING No.	REV
	DRAWN	K.E.		
W.O.	CHECKED		CSTD 1061	B
	DATE	29/02/96		