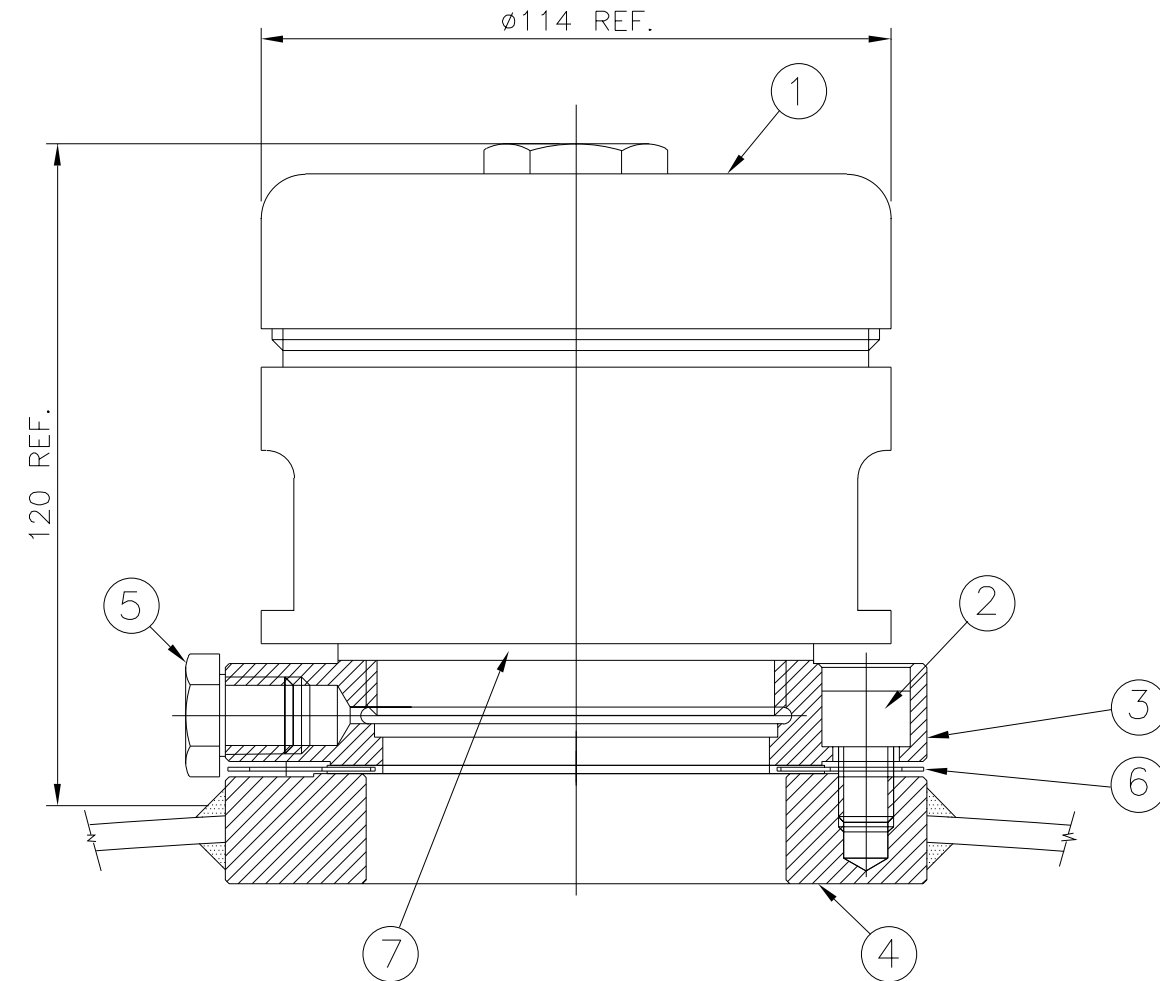


## MATERIAL CLASSIFICATION

Y	S/S 316		
Z	S/S 304		

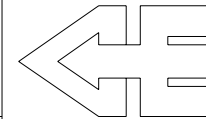
NOTE:

- QUANTITIES GIVEN ARE FOR 1-OFF T.C.  
50-OFF TANK CONTAINERS IN CONTRACT.



ITM	QTY	MAT	BOP Pg/No	DESCRIPTION	REF
7	1		12003	GASKET (SUPP. WITH ITEM 1)	
6	1			GASKET	CSTD1195
5	1	Y		1/4" BSP HEX PLUG	B.O.P.
4	1			SAFETY VALVE WELD PAD	CSTD329
3	1			ADAPTOR FLANGE	CSTD1061
2	6	Z		M10x15 lg HEX CAP SCREW	B.O.P.
1	1	Y	12003	PRES. RELIEF VALVE	FV 010/16300

### PARTS LIST



**CONSANI ENGINEERING (PTY) LTD**

ELSIES RIVER, CAPE TEL. 590-3400  
SOUTH AFRICA FAX. 591-2825

INTERMODAL CONTAINERS

THIS DRAWING AND INFORMATION IS THE PROPERTY OF CONSANI ENG (PTY) LTD AND MAY NOT BE REVEALED TO ANY THIRD PARTY WITHOUT OUR WRITTEN PERMISSION.

CAD: 24421060

## PRESSURE RELIEF VALVE ASSEMBLY (WITHOUT BURSTING DISC)

REVISION A				DRAWING APPROVAL		
AUTHORITY	SIGN.	DATE	DESCRIPTION	AUTHORITY	SIGNATURE	DATE
DRAWN				DESIGN		
DESIGN				QUALITY ASSURANCE		
QUALITY ASSURANCE				CONTRACTS		
CONTRACTS				INSPECTION AUTHORITY		
INSPECTION AUTHORITY				CLIENT		

CLIENT	O.C.I.	SCALE	1:1	DRAWING No.	REV
	W.O.	2442	DRAWN	RASHAAD	
		CHECKED		2442-02-1060	0
		DATE	13/02/02		