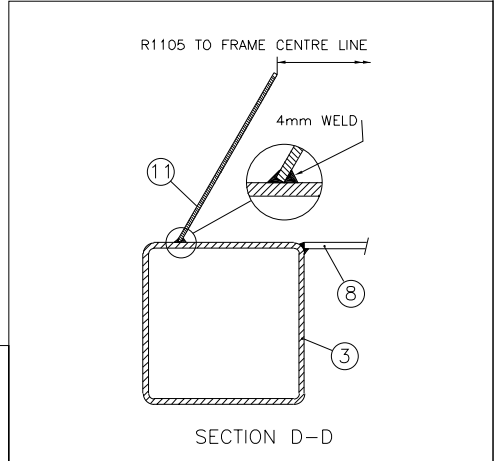
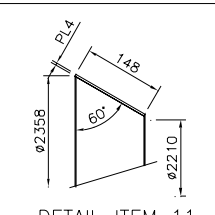
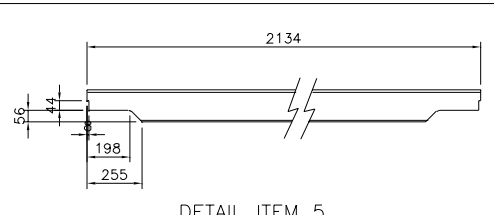
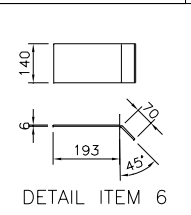
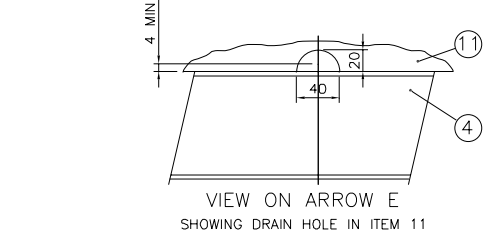
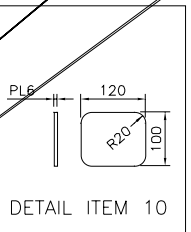
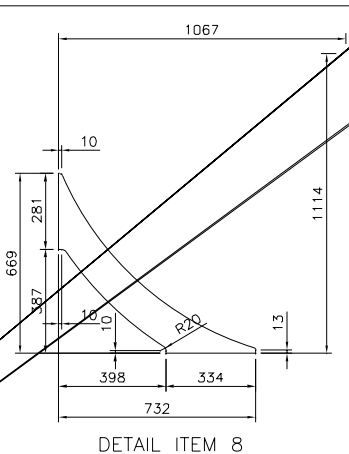
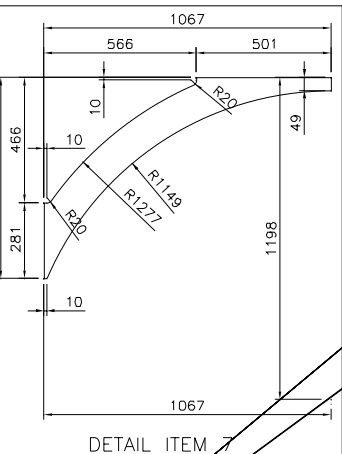
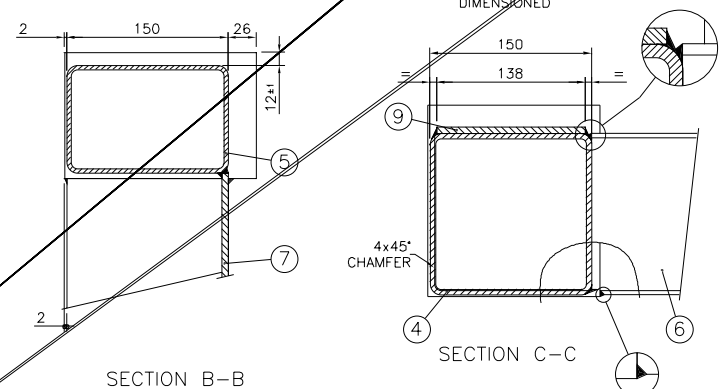
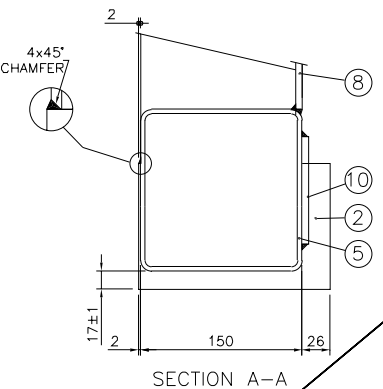
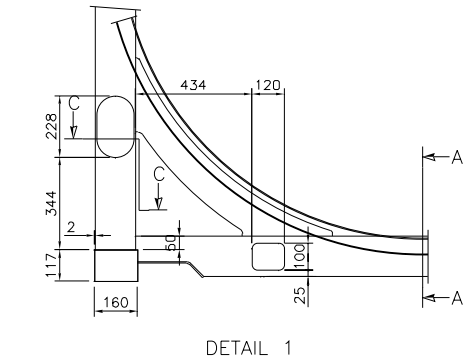
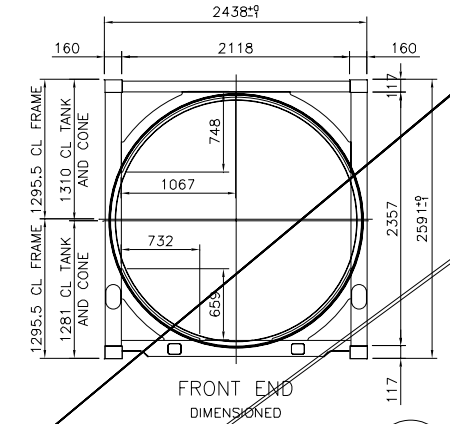
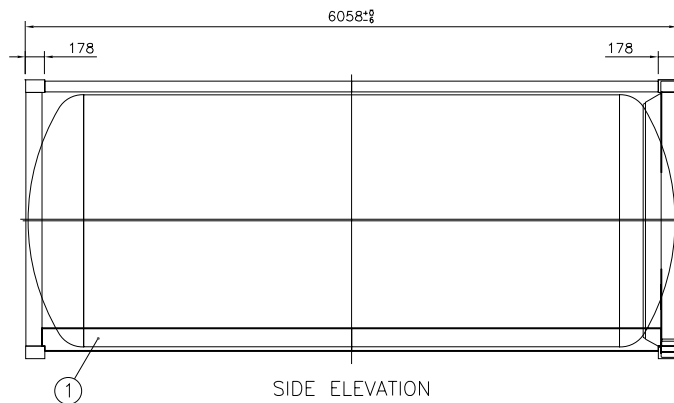
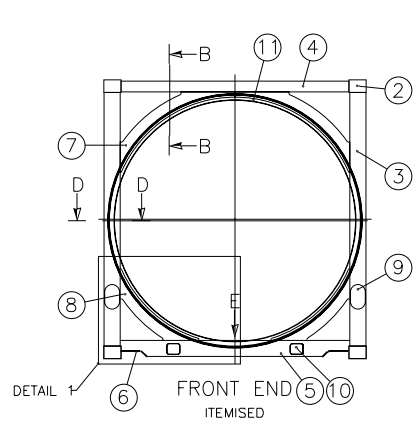


MATERIAL SPECIFICATION

F1	EN 10025	S355	K2G3C	F4	CORTEN AF	F7	DOMEX 600
F2	EN 10210	S355	J2H	F5	SUPRAFORM	TM380	
PARTS LIST							
No.	QTY	MAT	STOCK CODE	DESCRIPTION	DIMENSIONS	REFERENCE	
1				FRAME DETAIL		SEE DWG LIST	
2	1SET			CORNER CASTINGS	TO ISO 1161		
3	2	F2/F5		CORNER POST	RHS 150x150x5x2357	FSCP 8600	
4	1	F2/F5		CROSS MEMBER	RHS 150x100x4x2118		
5	1	F1/F5		CROSS MEMBER - FRONT BOTTOM	RHS 150x150x5x2134		
6	2	F1/F5		END PLATE - CROSS MEMBER	PLATE 6x140x263		
7	2	F1/F5		COVER PLATE - TOP	PLATE 6x748x1067		
8	2	F1/F5		COVER PLATE - BOTTOM	PLATE 6x669x732		
9	2	F1/F5	10252	CORNER POST DOUBLER		6 CPD 00	
10	2	F1/F5		BOTTOM DIAGONAL DOUBLER	PLATE 6x100x120		
11	1	F4/F5		CONE - REAR FRAME	PLATE 4x148x7048		

NOTE:
 - ALL WELDING TO BE 4mm C.F.W. U.O.S.
 - QUANTITIES GIVEN ARE FOR 1-OFF T.C.
 50-OFF TANK CONTAINERS IN CONTRACT



CONSANI ENGINEERING (PTY) LTD
 ELSNES RIVER, CAPE SOUTH AFRICA
 TEL. 590-3400 FAX. 591-2825

INTERMODAL CONTAINERS
THIS DRAWING AND INFORMATION IS THE PROPERTY OF CONSANI ENG. (PTY) LTD AND MAY NOT BE REVEALED TO ANY THIRD PARTY WITHOUT OUR WRITTEN PERMISSION.
 CAD: 24422304

REVISION E				REVISION D				REVISION C				REVISION B				REVISION A				DRAWING APPROVAL			REQUIRED TOLERANCE	NOMINAL DIMENSIONS (SHORT SIDE OF TRIANGLE)										NOMINAL DIMENSIONS		CLIENT	WORKS ORDER	SCALE	DRAWING	DRAWING NUMBER	REVISION
AUTHORITY	SIGN.	DATE	DESCRIPTION	AUTHORITY	SIGN.	DATE	DESCRIPTION	AUTHORITY	SIGN.	DATE	DESCRIPTION	AUTHORITY	SIGN.	DATE	DESCRIPTION	AUTHORITY	SIGN.	DATE	DESCRIPTION	AUTHORITY	SIGNATURE	DATE		DEGREES & MINUTES	ABOVE					ABOVE					ABOVE						
DRAWN				DRAWN				DRAWN				DRAWN				DRAWN							0	1	2	3	4	5	6	7	8	9	10	100	2000	4000	8000	1:25	2442	0	
DESIGN				DESIGN				DESIGN				DESIGN				DESIGN							10	10	10	10	10	10	10	10	10	10	10	10	10	10	10	10	10	10	13/02/02
QUALITY ASSURANCE				QUALITY ASSURANCE				QUALITY ASSURANCE				QUALITY ASSURANCE				QUALITY ASSURANCE							10	10	10	10	10	10	10	10	10	10	10	10	10	10	10	10	10	13/02/02	
CONTRACTS				CONTRACTS				CONTRACTS				CONTRACTS				CONTRACTS							10	10	10	10	10	10	10	10	10	10	10	10	10	10	10	10	10	13/02/02	
INSPECTION AUTHORITY				INSPECTION AUTHORITY				INSPECTION AUTHORITY				INSPECTION AUTHORITY				INSPECTION AUTHORITY							10	10	10	10	10	10	10	10	10	10	10	10	10	10	10	10	10	10	13/02/02
																							10	10	10	10	10	10	10	10	10	10	10	10	10	10	10	10	10	10	13/02/02
																							10	10	10	10	10	10	10	10	10	10	10	10	10	10	10	10	10	10	13/02/02

FRONT FRAME DETAILS
MODEL HO3