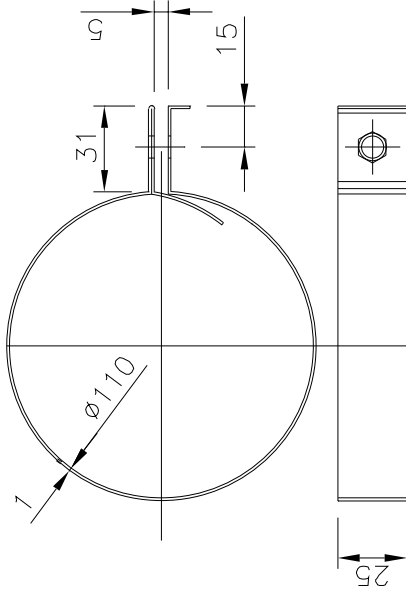


MATERIAL SPECIFICATION

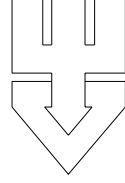
0 CLEAR PVC Z S/S 304

PARTS LIST

ITM	QTY	MAT	BOP Pg/No	DESCRIPTION	REF
1	1	0		CLEAR PVC TUBE	B.O.P.
2	2	Z		STRAP 1 X 25 X LTS.	B.O.P.
3	3	Z		BOLT M8 X 25	B.O.P.
4	3	Z		NUT M8	B.O.P.
5	6	Z		FLAT WASHER M8	B.O.P.
6	1	Z		CABLE $\phi 2$ X 300	B.O.P.
7	2	Z		SPACER 25 X 25 X 4.5	B.O.P.



CONSANI ENGINEERING (PTY) LTD
 ELSIES RIVER, CAPE
 SOUTH AFRICA
 TEL. 590-3400
 FAX. 591-2825



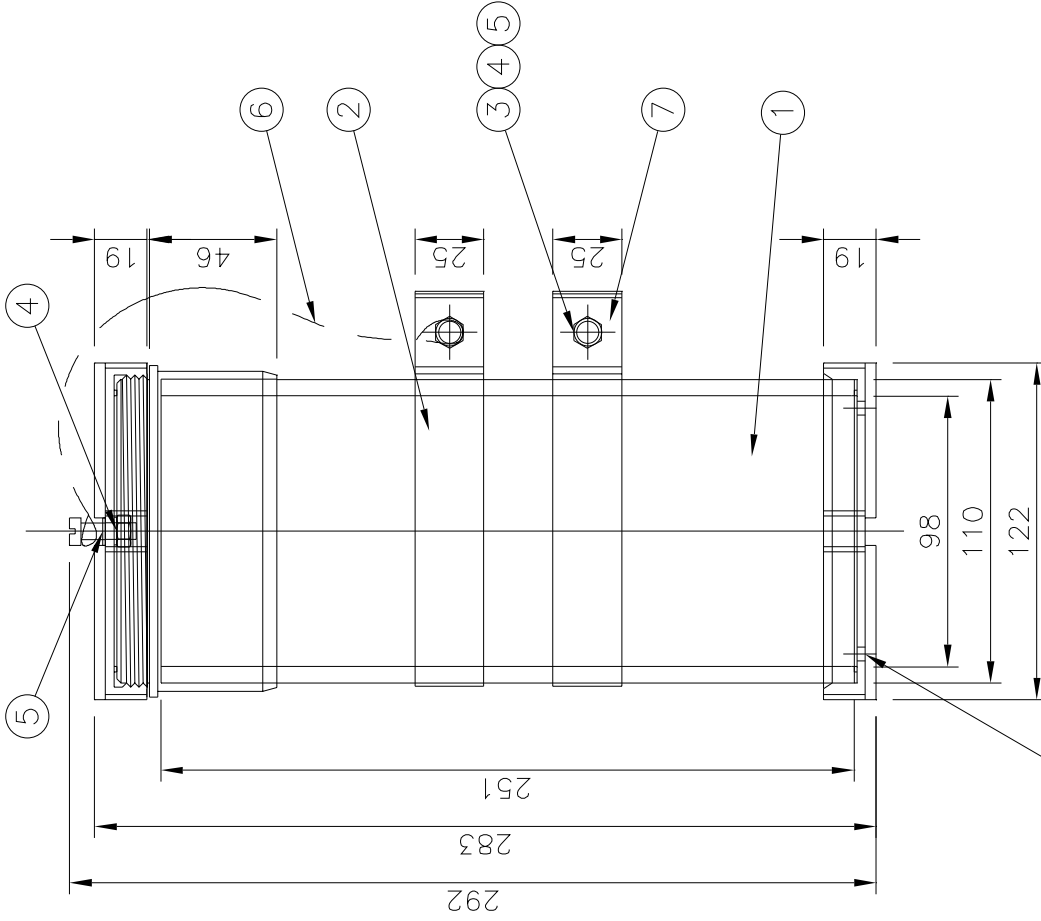
THIS DRAWING AND INFORMATION IS
 THE PROPERTY OF CONSANI ENG.
 (PTY) LTD AND MAY NOT BE REVEALED
 TO ANY THIRD PARTY WITHOUT OUR
 WRITTEN PERMISSION.

CAD: CSTD400C_

INTERMODAL CONTAINERS

DOCUMENT HOLDER

CLIENT	SCALE	1:2	DRAWING NUMBER	REVISION
WORKS ORDER	DRAWN	R.Roussouille	CSTD 400C	0
	CHECKED			
	DATE	07/5/2001		



$\phi 5$ DRAIN HOLES

REVISION A		DRAWING APPROVAL	
AUTHORITY	SIGN. DATE	AUTHORITY	SIGNATURE DATE
DRAWN		DESIGN	EM 7/6/01
DESIGN		QUALITY ASSURANCE	
QUALITY ASSURANCE		CONTRACTS	AL 7/6/01
CONTRACTS		INSPECTION AUTHORITY	
INSPECTION AUTHORITY		CLIENT	