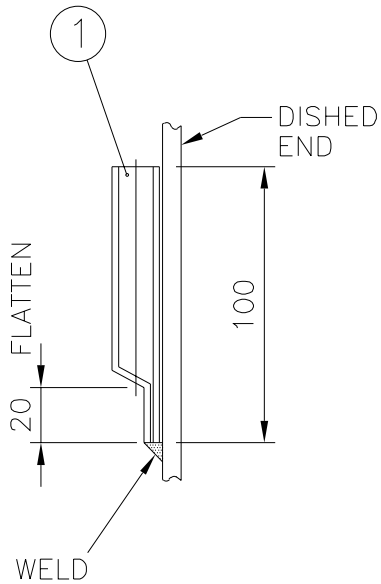


MATERIAL SPECIFICATION

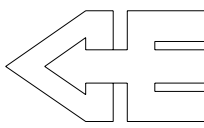


S	ASTM A312 TP316L		
T	ASTM A312 TP316		



1	1	S/T		TUBE 12 O/D x 1THK x 100 LG	
ITM	QTY	MAT	BOP Pg/No	DESCRIPTION	REF

PARTS LIST



CONSANI ENGINEERING (PTY) LTD
 ELSIES RIVER, CAPE SOUTH AFRICA
 TEL. 590-3400
 FAX. 591-2825

INTERMODAL CONTAINERS

THIS DRAWING AND INFORMATION IS THE PROPERTY OF CONSANI ENG (PTY) LTD AND MAY NOT BE REVEALED TO ANY THIRD PARTY WITHOUT OUR WRITTEN PERMISSION.

CAD:

REVISION B				REVISION A				DRAWING APPROVAL		
AUTHORITY	SIGN.	DATE	DESCRIPTION	AUTHORITY	SIGN.	DATE	DESCRIPTION	AUTHORITY	SIGNATURE	DATE
DRAWN	S.G	03/4/01	MATERIAL SPEC. REVISED	DRAWN	S.N.	19/7/96	MATERIAL SPEC. REVISED	DESIGN	S.E.	23/3/94
DESIGN	E.M	03/4/01		DESIGN	E.M	19/7/96		QUALITY ASSURANCE	P.B.	7/4/94
QUALITY ASSURANCE				QUALITY ASSURANCE				CONTRACTS	M.H.	7/4/94
CONTRACTS	A.L	03/4/01		CONTRACTS	A.C	19/7/96		INSPECTION AUTHORITY		
INSPECTION AUTHORITY				INSPECTION AUTHORITY				CLIENT		

CAPILLARY POCKET

CLIENT	SCALE	1:1	DRAWING No.	REV
	DRAWN	K.E.		
W.O.	CHECKED		CSTD 1220	B
	DATE	08/03/96		