

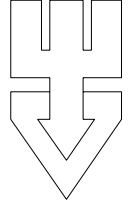
MATERIAL SPECIFICATION

I	KLINGERSIL / PTFE
---	-------------------

1	1	8252	GASKET 164 SQx120 1/Dx2.5THK	REF
ITEM	QTY	MAT	DESCRIPTION	REF

PARTS LIST

CONSANI ENGINEERING (PTY) LTD
 ELSIES RIVER, CAPE SOUTH AFRICA
 TEL. 590-3400
 FAX. 591-2825

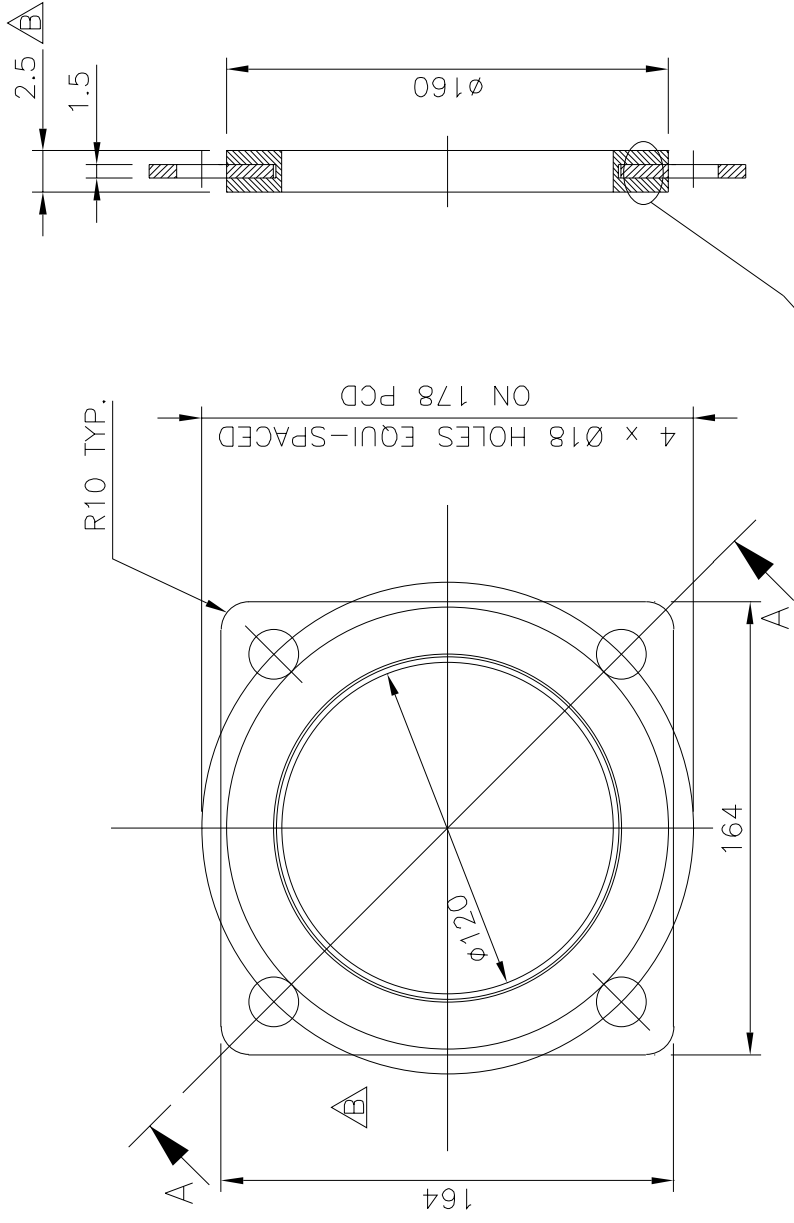


INTERMODAL CONTAINERS
 CAD:CST1193b

THIS DRAWING AND INFORMATION IS THE PROPERTY OF CONSANI ENGINEERING (PTY) LTD AND IS NOT TO BE REVEALED TO ANY THIRD PARTY WITHOUT OUR WRITTEN PERMISSION.

3" (80 NB)
 FOOTVALVE GASKET

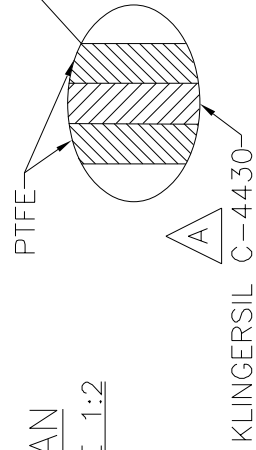
CLIENT	SCALE 1:2	DRAWING No.	REV
W.O.	DRAWN K.E.	CSTD 1193	B
	CHECKED		
	DATE 07/03/96		



SECTION A-A
 SCALE 1:2

PLAN
 SCALE 1:2

REVISION B		REVISION A			DRAWING APPROVAL	
AUTHORITY	SIGN.	DATE	DESCRIPTION	AUTHORITY	SIGNATURE	DATE
DRAWN	S.G	13/9/00	GASKET THICKNESS DIM REVISED AND WAS 1216. NOW 146x146 SQUARE	DESIGN	S.E.	23/4/94
DESIGN				QUALITY ASSURANCE	P.B.	7/4/94
QUALITY ASSURANCE				CONTRACTS	M.H.	7/4/94
CONTRACTS				INSPECTION AUTHORITY	A.C.	12/12/97
INSPECTION AUTHORITY				CLIENT		



GASKET MATERIAL WAS KLINGERSIL C-4400 NOW KLINGERSIL C-4430