

MATERIAL SPECIFICATION

1	KLINGERSIL / PTFE
---	-------------------

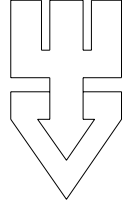
NOTE:

HOLE DIAMETER IN KLINGERSIL MUST BE 3 TO 5mm LARGER THAN THE MANUFACTURED I.D. OF THE PTFE ENVELOPE.

1	1	8250	GASKET 146 SQx77 1/Dx2.5THK	REF
ITEM	QTY	MAT	DESCRIPTION	REF
		STOCK CODE		

PARTS LIST

CONSANI ENGINEERING (PTY) LTD
 ELSIES RIVER, CAPE SOUTH AFRICA
 TEL: 590-3400
 FAX: 591-2825

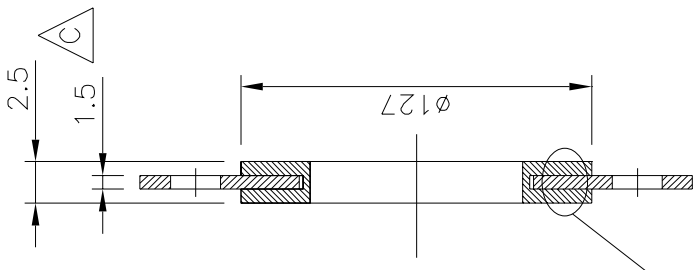


INTERMODAL CONTAINERS
 CAD: CST1191c

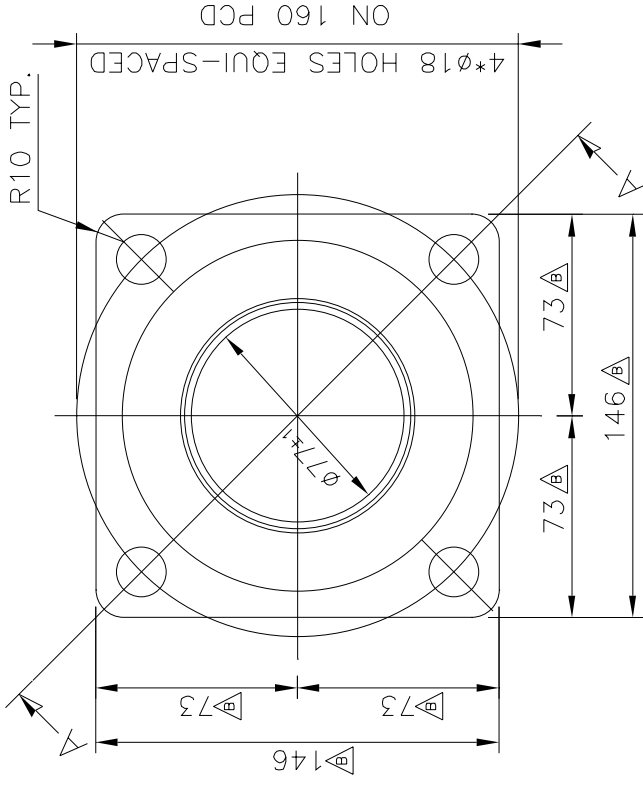
THIS DRAWING AND INFORMATION IS THE PROPERTY OF CONSANI ENGINEERING (PTY) LTD. IT IS TO BE KEPT IN CONFIDENCE AND NOT BE REVEALED TO ANY THIRD PARTY WITHOUT OUR WRITTEN PERMISSION.

3" (80 NB) BUTTERFLY VALVE INLET GASKET

CLIENT	SCALE 1:2	DRAWING No.	REV
W.O.	DRAWN K.E.	CSTD 1191	C
	CHECKED		
	DATE 7/3/96		



SECTION A-A
SCALE 1:2



PLAN
SCALE 1:2

KLINGERSIL C-4430

REVISION C			REVISION B			DRAWING APPROVAL				
AUTHORITY	SIGN.	DATE	DESCRIPTION	AUTHORITY	SIGN.	DATE	DESCRIPTION	AUTHORITY	SIGNATURE	DATE
DRAWN	S.G	13/9/00	GASKET THK DIM REVISED.	DRAWN	G.P.	10/5/99	GASKET WAS	DESIGN	S.E.	23/3/94
DESIGN				DESIGN	S.E.	10/5/99	Ø200 NOW	QUALITY ASSURANCE	P.B.	7/4/94
QUALITY ASSURANCE				QUALITY ASSURANCE			146x146 SQUARE.	CONTRACTS	M.H.	7/4/94
CONTRACTS				CONTRACTS	A.C.	10/5/99		INSPECTION AUTHORITY		
INSPECTION AUTHORITY				INSPECTION AUTHORITY				CLIENT		