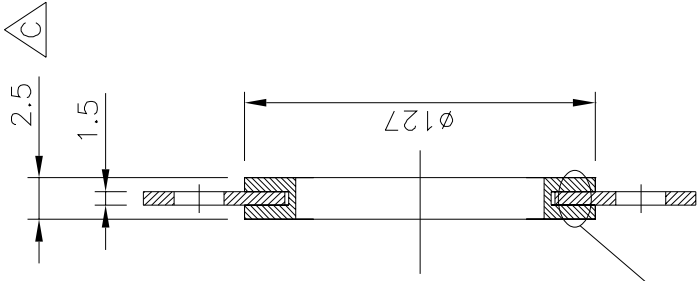
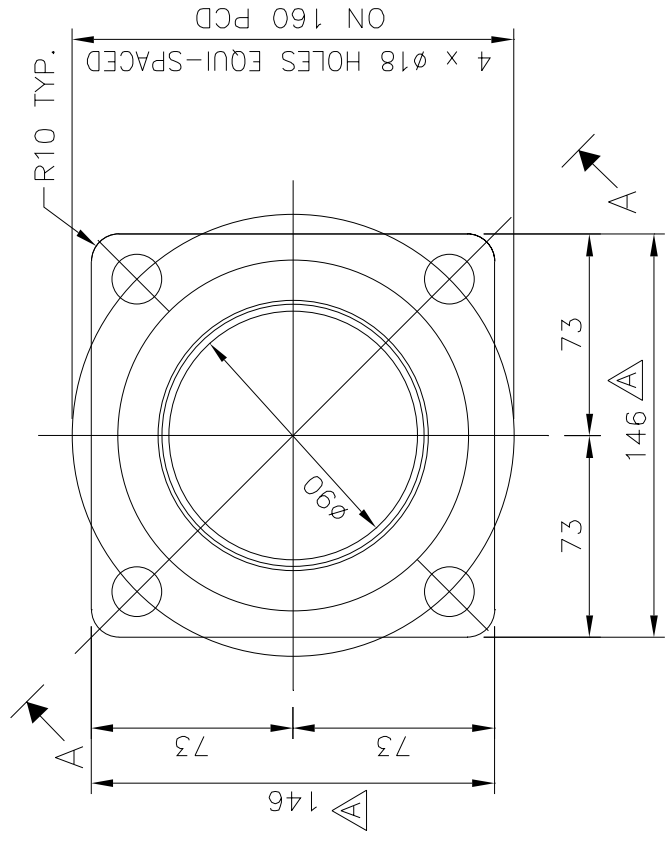


MATERIAL SPECIFICATION

1	KLINGERSIL / PTFE
---	-------------------

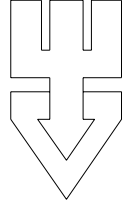


SECTION A-A  
SCALE 1:2



PLAN  
SCALE 1:2

PTFE  
KLINGERSIL C-4430



**CONSANI ENGINEERING (PTY) LTD**  
 ELSIES RIVER, CAPE  
 SOUTH AFRICA  
 TEL: 590-3400  
 FAX: 591-2825

INTERMODAL CONTAINERS  
 CAD: CST1192c

THIS DRAWING AND INFORMATION IS THE PROPERTY OF CONSANI ENGINEERING (PTY) LTD. IT IS TO BE KEPT IN CONFIDENCE AND NOT BE REVEALED TO ANY THIRD PARTY WITHOUT OUR WRITTEN PERMISSION.

PARTS LIST

ITEM	QTY	MAT	STOCK CODE	DESCRIPTION	REF
1	1	8251		GASKET 146 SQx90 I/Dx2.5THK	

3" (80 NB) BUTTERFLY  
 VALVE OUTLET GASKET

CLIENT	SCALE 1:2	DRAWING No.	REV
W.O.	DRAWN K.E.	CSTD 1192	C
	CHECKED		
	DATE 7/3/96		

REVISION C			REVISION B			DRAWING APPROVAL		
AUTHORITY	SIGN.	DATE	AUTHORITY	SIGN.	DATE	AUTHORITY	SIGNATURE	DATE
DESIGN	S.G	13/9/00	DESIGN	G.P.	4/12/97	DESIGN	S.E.	23/3/94
QUALITY ASSURANCE			DESIGN	E.M	4/12/97	QUALITY ASSURANCE	P.B.	7/4/94
CONTRACTS			QUALITY ASSURANCE			CONTRACTS	M.H.	7/4/94
INSPECTION			CONTRACTS	A.L	4/12/97	INSPECTION AUTHORITY		
			INSPECTION AUTHORITY			CLIENT		

DESCRIPTION: GASKET THK DIM REVISED.  
 GASKET MATERIAL WAS KLINGERSIL C-4400 NOW KLINGERSIL C-4430