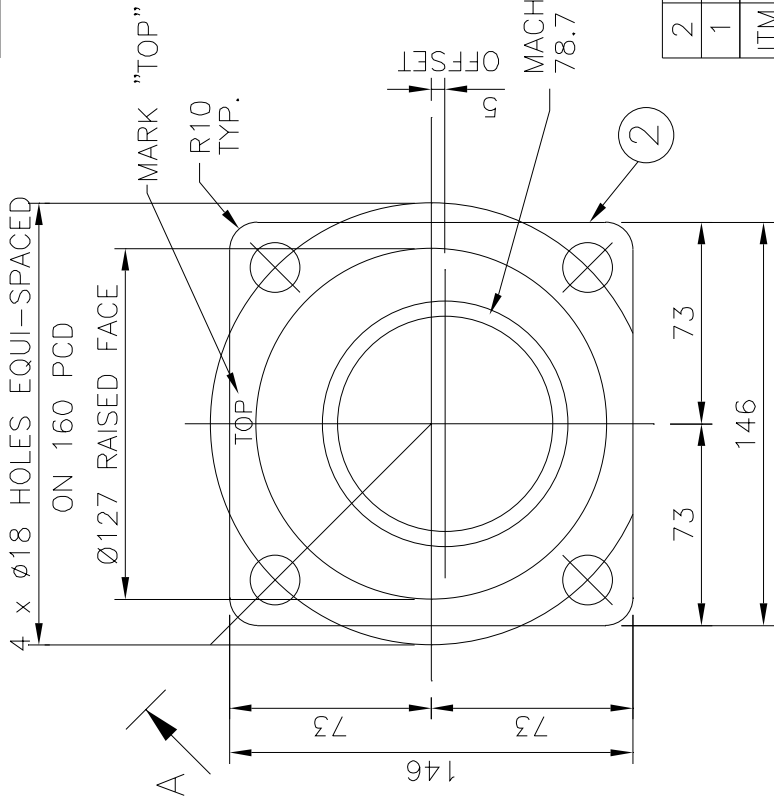


MATERIAL SPECIFICATION

C	ASTM A240 316 OR 316L T	ASTM A312 TP316L
---	-------------------------	------------------



SECTION A-A
SCALE 1:2

N8 / ALL OVER U.O.S.

NOTE:
FLANGES TOLERANCED TO ANSI B16.5 U.O.S.
REMOVE ALL SHARP EDGES AND BURRS
PICKLE & PASSIVATE FLANGE

DO NOT SCALE DRAWING

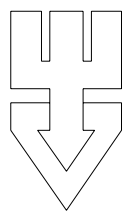
MACHINE PIPE I/D TO 78.7 mm.

(COMM. No. 8047)

2	1	C	FLANGE Ex PL16 x 146 x 146
1	1	T	3" SCH40 PIPE x 62LG
ITEM	QTY	MAT	DESCRIPTION
		BOP Pg/No	REF

PARTS LIST

CONSANI ENGINEERING (PTY) LTD
 ELSIES RIVER, CAPE SOUTH AFRICA
 TEL: 590-3400
 FAX: 591-2825



INTERMODAL CONTAINERS

THIS DRAWING AND INFORMATION IS THE PROPERTY OF CONSANI ENGINEERING (PTY) LTD AND MAY NOT BE REVEALED TO ANY THIRD PARTY WITHOUT OUR WRITTEN PERMISSION.

CAD:

REVISION F		DRAWING APPROVAL				
AUTHORITY	SIGN.	DATE	DESCRIPTION	AUTHORITY	SIGNATURE	DATE
DRAWN	BS	28/11	THREAD LENGTH OF ITEM 1	DESIGN	E.M	06/7/97
DESIGN	E.M	1/2/97	WAS 25 LONG	QUALITY ASSURANCE		
QUALITY ASSURANCE				CONTRACTS	A.C	06/7/97
CONTRACTS	A.C.	1/2/97		INSPECTION AUTHORITY		
INSPECTION AUTHORITY				CLIENT		

3" BSP OUTLET FLANGE

CLIENT	SCALE 1:2	DRAWING No.	REV
W.O.	DRAWN T.J.B.	CSTD 465	F
	CHECKED		
	DATE 06/02/97		